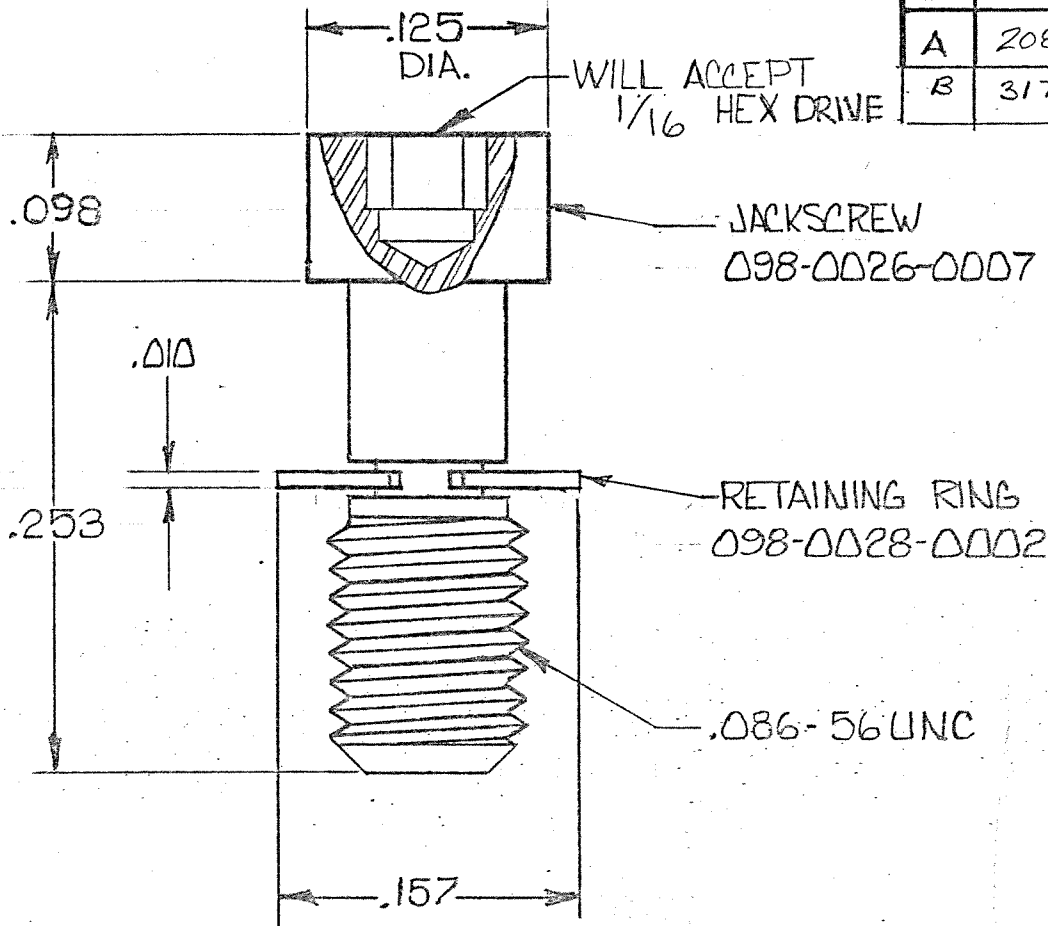



REVISIONS				
LTR	ECO #	DESCRIPTION	DATE	APPROVED
A	20830	RELEASED 2-9-76 DWJH	3-30-76	MD
B	31771	DIM 15 .098 WAS: .075 CODE 15: CDM WAS: CD	11-28-88	MD



Tyco Dwg 1466010
Micro P/N 096-0002-0015

		UNLESS OTHERWISE SPECIFIED DIMENSIONS ARE IN INCHES TOLERANCES ARE: FRACTIONS DECIMALS ANGLES ± .XX ± .02 ± .XXX ± .010	CONTRACT NO.		 MALCO A MICRODOT COMPANY, INC. 220 PASADENA AVE., SO. PASADENA, CALIF. 91030	JACKSCREW ASSEMBLY LOW PROFILE ALLEN HEAD	PROD. CODE 839
			APPROVALS	DATE			CODE CDM
		MATERIAL	DRAWN DAVID HOOPER	2-9-76			
			CHECKED MD	3-29-76			
			M. JAGANWSKA	3-29-76			
		FINISH			SIZE A	CODE IDENT NO. 98278	DRAWING NO. 096-0002-0015
USED ON			These drawings and specifications are the property of Microdot Inc., are issued in strict confidence and shall not be divulged, be reproduced or copied, or used as the basis for the manufacture or sale of any article without written permission of Microdot Inc.		SCALE NONE		SHEET 1 OF 1
APPLICATION		DO NOT SCALE DRAWING					